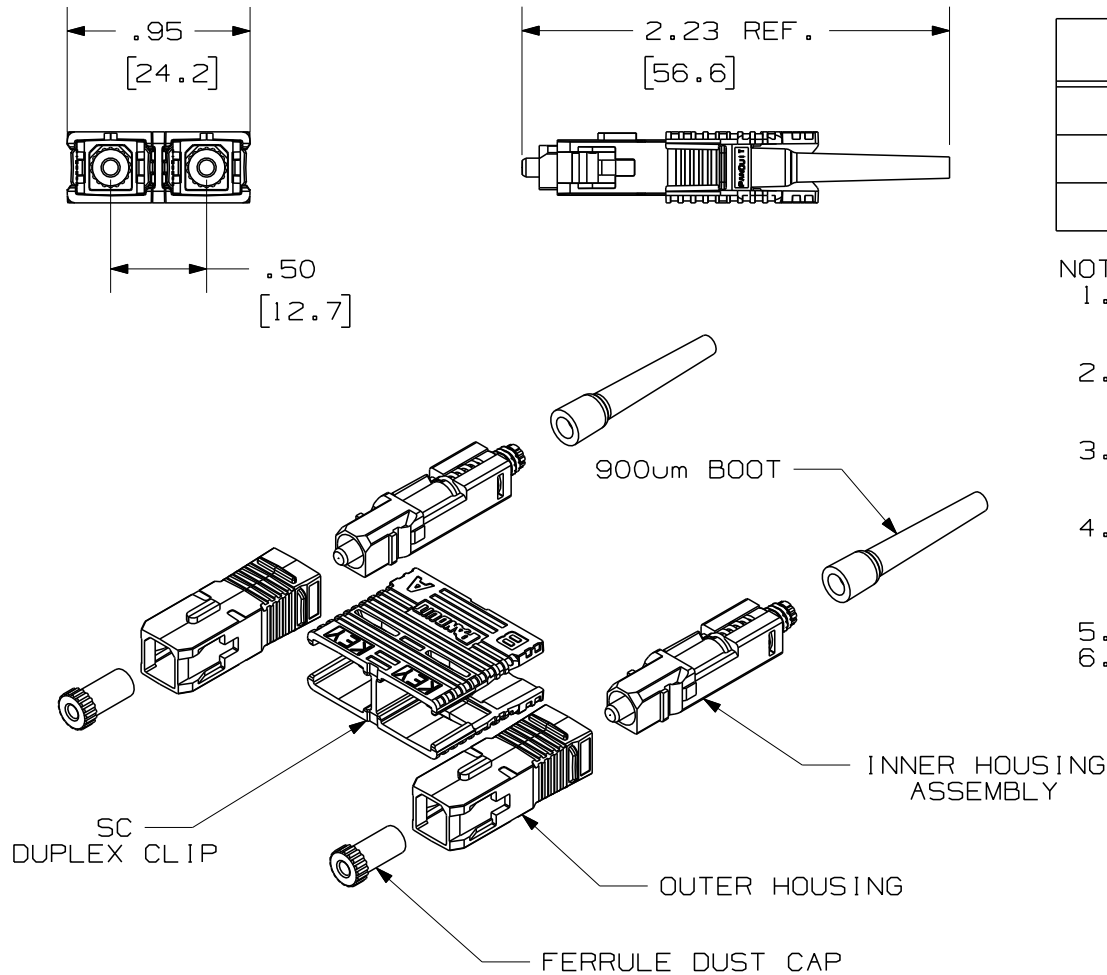


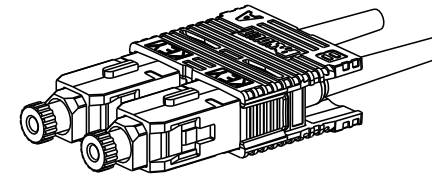
THIS COPY IS PROVIDED ON A RESTRICTED BASIS AND IS NOT TO BE USED IN ANY WAY DETRIMENTAL TO THE INTERESTS OF PANDUIT CORP.



PANDUIT PART NUMBER	FIBER TYPE
FSCDMC5BL	50/125um MULTIMODE
FSCDMC6BL	62.5/125um MULTIMODE
FSCDMCXAQ	50/125um OM3 MULTIMODE

NOTES:

- SEE CATALOG FOR ADDITIONAL PART NUMBER SUFFIXES TO INDICATE COLOR AND/OR PACKAGE QUANTITY.
- ACCEPTS 50/125um, 62.5/125um OR 50/125 OM3 MULTIMODE, 900um BUFFERED GLASS OPTICAL FIBER.
- FULLY COMPLIES WITH THE FIBER OPTIC CONNECTOR PERFORMANCE REQUIREMENTS AS SPECIFIED BY TIA/EIA-568-B.3.
- MATERIAL:
 BODY/HARDWARE: PLASTIC
 BOOT: THERMOPLASTIC RUBBER
 FERRULE: ZIRCONIA CERAMIC
- DIMENSIONS IN BRACKETS ARE METRIC [mm].
- 1.6/2.0mm AND 3.0mm BOOT ASSEMBLIES ARE AVAILABLE.

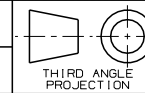


REV	DATE	BY	CHK	DESCRIPTION	ECN	R	CUST	SUP	OTH
1	08-24-06	MC		RELEASED TO PRODUCTION	01799-39				

OPTICAM DUPLEX SC CONNECTOR
CUSTOMER DRAWING



PANDUIT™
CORP.
TINLEY PARK, ILL 60477



ALL DIMENSIONS ARE GIVEN IN INCHES UNLESS OTHERWISE SPECIFIED.
 DIMENSIONAL TOLERANCES ARE:
 (.X) (.XXX) ±.010 (0.3)
 (.XX) ±.03 (0.8) ANGLES

DRAWING FILENAME
MO1799AU_DC_DUP_01A.prt

SCALE
NONE

DRAWN BY
MC

REVIEW DRAWING NUMBERS

PART NO. FSCDMC5BL
FSCDMC6BL/FSCDMCXAQ

DATE
07-14-05

DRAWING NO.
01799-39

CHK'D
JAW

SIZE
A